

EXPRESS ORDER

Processing takes place without order confirmation



Delivery possible within 24 hours – if the components are in stock or by arrangement

Contact: Mr. Stephan Falk, Manager Express Production P: +49 7123 3808-121/ F: +49 7123 3808-192

Customer ID:

Order No.:

Address:

Shipping address:

Customer Contact:

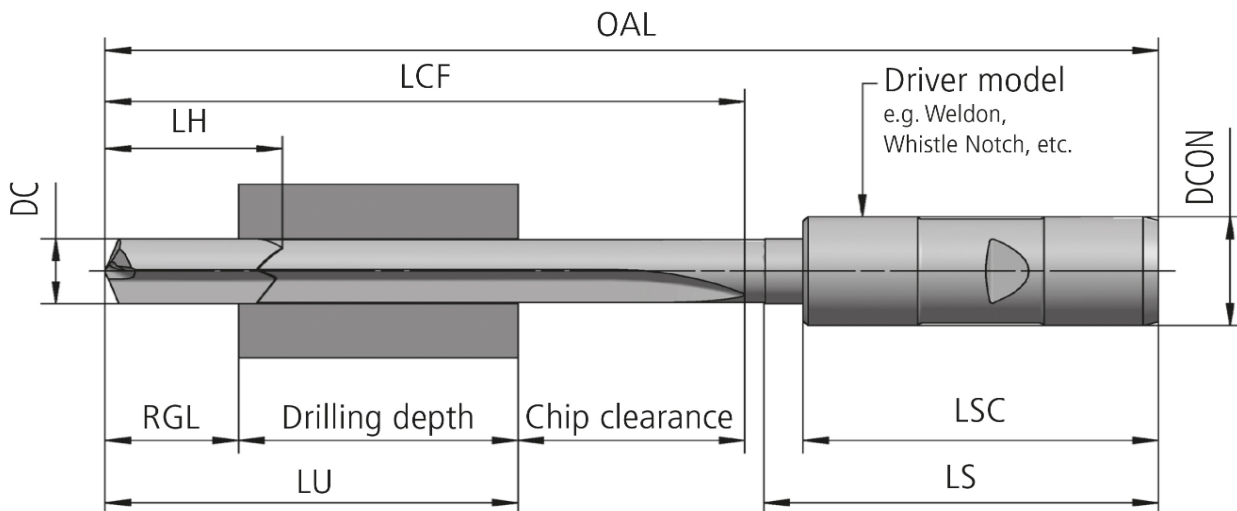
Phone:

Drilling method: Solid drilling Counterboring

Material: Steel GG GGG AL-Si-Leg _____

Ø (DC)	Length (OAL)	Drilling depth (mm)	Driver dimensions (DCONxLSC/LS)	DIN Driver (Order No. driver)	Coating	Pieces	Delivery date

VERY URGENT. Diameter deviation possible. Request for a callback.



Type 120 Twin fluted drill with solid carbide head - **Standard version**

Type 123 Solid carbide 2-fluted drill coolant fed double margin - **Standard version**

Note:

Shipping method: UPS UPS 12:00 p.m. Pick up _____

For urgent orders, a surcharge will be applied depending on the effort and delivery date, which will be communicated to you before the start of production. The number of express orders is limited – coordination by Mr. Falk.

Date:

Signature: